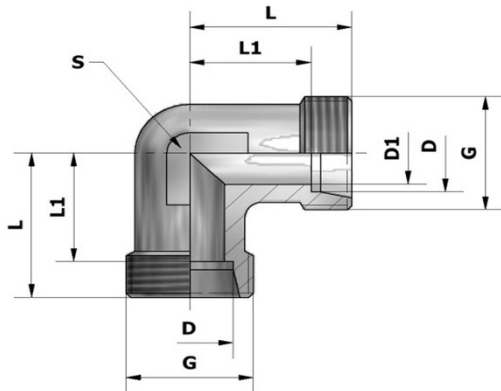


XW- угловые резьбовые соединения угол конуса 24°



Серия	D	G	D1	L	L1	S	Вес, кг/100	Цифровой №	№ комп
LL	4	M8x1	3,0	15	11,0	9	1,00	320/21	XW4LLc3d
PN 100	5	M10x1	3,5	15	9,5	9	0,96	321/21	XW5LLc3d
	6	M10x1	4,5	15	9,5	9	1,02	322/21	XW6LLc3d
	8	M12x1	6,0	17	11,5	12	1,30	323/21	XW8LLc3d
L	6	M12x1,5	4,0	19	12,0	12	2,05	324/21	XW6Lc3d
	8	M14x1,5	6,0	21	14,0	12	2,50	325/21	XW8Lc3d
	10	M16x1,5	8,0	22	15,0	14	3,10	326/21	XW10Lc3d
PN 400	12	M18x1,5	10,0	22	15,0	17	4,10	327/21	XW12Lc3d
	15	M22x1,5	12,0	28	21,0	19	7,10	328/21	XW15Lc3d
	18	M26x1,5	15,0	31	23,5	24	11,00	329/21	XW18Lc3d
PN 250	22	M30x2	19,0	35	27,5	27	14,60	330/21	XW22Lc3d
	28	M36x2	24,0	38	30,5	36	23,50	331/21	XW28Lc3d
	35	M45x2	30,0	45	34,5	41	46,80	332/21	XW35Lc3d
	42	M52x2	36,0	51	40,0	50	61,80	333/21	XW42Lc3d
S	6	M14x1,5	4,0	23	16,0	12	3,70	334/21	XW6Sc3d
	8	M16x1,5	5,0	24	17,0	14	4,20	335/21	XW8Sc3d
	10	M18x1,5	7,0	25	17,5	17	5,60	336/21	XW10Sc3d
PN 630	12	M20x1,5	8,0	29	21,5	17	7,05	337/21	XW12Sc3d
	16	M24x1,5	12,0	33	24,5	24	13,10	339/21	XW16Sc3d
PN 420	20	M30x2	16,0	37	26,5	27	20,10	340/21	XW20Sc3d
	25	M36x2	20,0	42	30,0	36	36,60	341/21	XW25Sc3d
	30	M42x2	25,0	49	35,5	41	51,60	342/21	XW30Sc3d
	38	M52x2	32,0	57	41,0	50	66,10	343/21	XW38Sc3d