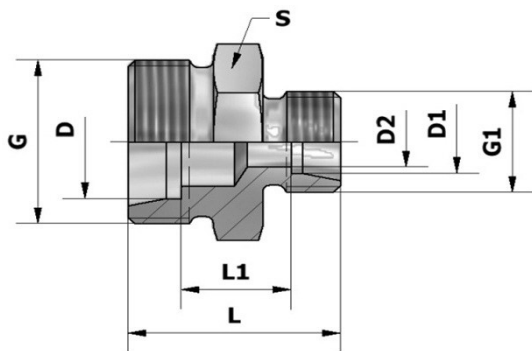


XGR- прямые переходные соединения угол конуса 24°



Серия	D	D1	G	G1	D2	L	L1	S	Вес, кг/100	Цифровой №	№ комп
LL	6	4	M10x1	M8x1	3,0	20	10,5	11	0,70	9983/21	XGR6/4LLc3d
PN 100	8	4	M12x1	M8x1	3,0	22	12,5	12	0,90	8321/21	XGR8/4LLc3d
	8	6	M12x1	M10x1	4,5	22	11,0	12	1,10	9943/21	XGR8/6LLc3d
L	8	6	M14x1,5	M12x1,5	4,0	25	11,0	14	1,60	301/21	XGR8/6Lc3d
PN 500	10	6	M16x1,5	M12x1,5	4,0	26	12,0	17	2,10	302/21	XGR10/6Lc3d
	10	8	M16x1,5	M14x1,5	6,0	26	12,0	17	2,10	303/21	XGR10/8Lc3d
PN 400	12	6	M18x1,5	M12x1,5	4,0	27	13,0	19	2,60	305/21	XGR12/6Lc3d
	12	8	M18x1,5	M14x1,5	6,0	27	13,0	19	2,60	306/21	XGR12/8Lc3d
	12	10	M18x1,5	M16x1,5	8,0	28	14,0	19	2,90	307/21	XGR12/10Lc3d
	15	10	M22x1,5	M16x1,5	8,0	29	15,0	24	4,60	309/21	XGR15/10Lc3d
	15	12	M22x1,5	M18x1,5	10,0	29	15,0	24	4,50	310/21	XGR15/12Lc3d
	18	10	M26x1,5	M16x1,5	8,0	30	15,5	27	6,50	312/21	XGR18/10Lc3d
	18	12	M26x1,5	M18x1,5	10,0	30	15,5	27	6,40	313/21	XGR18/12Lc3d
	18	15	M26x1,5	M22x1,5	12,0	31	16,5	27	6,50	314/21	XGR18/15Lc3d
PN 250	22	12	M30x2	M18x1,5	10,0	32	17,5	32	8,00	317/21	XGR22/12Lc3d
	22	15	M30x2	M22x1,5	12,0	33	18,5	32	8,90	318/21	XGR22/15Lc3d
	22	18	M30x2	M26x1,5	15,0	33	18,0	32	8,90	319/21	XGR22/18Lc3d
	28	18	M36x2	M26x1,5	15,0	36	21,0	41	15,20	9135/21	XGR28/18Lc3d
	28	22	M36x2	M30x2	19,0	36	21,0	41	13,90	9715/21	XGR28/22Lc3d
	35	22	M45x2	M30x2	19,0	39	21,0	46	20,20	13238/21	XGR35/22Lc3d
	35	28	M45x2	M36x2	24,0	39	21,0	46	20,60	9733/21	XGR35/28Lc3d
	42	28	M52x2	M36x2	24,0	40	21,5	55	26,10	14233/21	XGR42/28Lc3d
42	35	M52x2	M45x2	30,0	43	21,5	55	33,00	14232/21	XGR42/35Lc3d	
S	8	6	M16x1,5	M14x1,5	4,0	32	18,0	17	3,50	13239/21	XGR8/6Sc3d
PN 800	10	6	M18x1,5	M14x1,5	4,0	32	17,5	19	4,10	9731/21	XGR10/6Sc3d
PN 630	12	6	M20x1,5	M14x1,5	4,0	34	19,5	22	5,60	18184/21	XGR12/6Sc3d
	12	8	M20x1,5	M16x1,5	5,0	34	19,5	22	5,70	13240/21	XGR12/8Sc3d
	12	10	M20x1,5	M18x1,5	7,0	34	19,0	22	5,90	13241/21	XGR10/10Sc3d
	16	10	M24x1,5	M18x1,5	7,0	36	20,0	27	8,00	9734/21	XGR16/10Sc3d
	16	12	M24x1,5	M20x1,5	8,0	36	20,0	27	8,70	13242/21	XGR16/12Sc3d
PN 420	20	10	M30x2	M18x1,5	7,0	40	22,0	32	12,90	18318/21	XGR20/10Sc3d
	20	12	M30x2	M20x1,5	8,0	40	22,0	32	13,10	18183/21	XGR20/12Sc3d
	20	16	M30x2	M24x1,5	12,0	42	23,0	32	13,40	13243/21	XGR20/16Sc3d
	25	16	M36x2	M24x1,5	12,0	46	25,5	41	23,60	13244/21	XGR25/16Sc3d
	25	20	M36x2	M30x2	16,0	48	25,5	41	23,50	9735/21	XGR25/20Sc3d
	30	20	M42x2	M30x2	16,0	50	26,0	46	29,90	14239/21	XGR30/20Sc3d
	30	25	M42x2	M36x2	20,0	52	26,5	46	31,70	14240/21	XGR30/25Sc3d
38	30	M52x2	M42x2	25,0	59	29,5	55	52,20	14235/21	XGR38/30Sc3d	