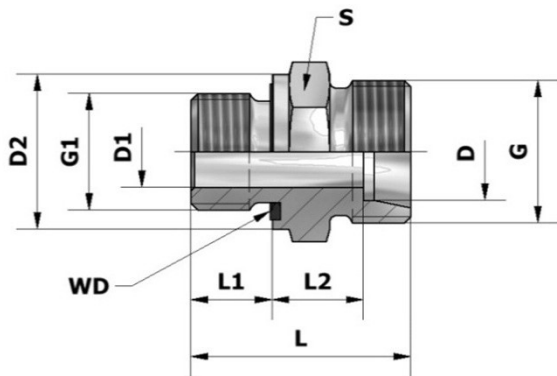


## XGE..R..ZWD - Прямой штуцерный соединитель с наружной резьбой

Трубная коническая резьба BSP с мягким уплотнением (ISO 1179) / угол конуса 24°

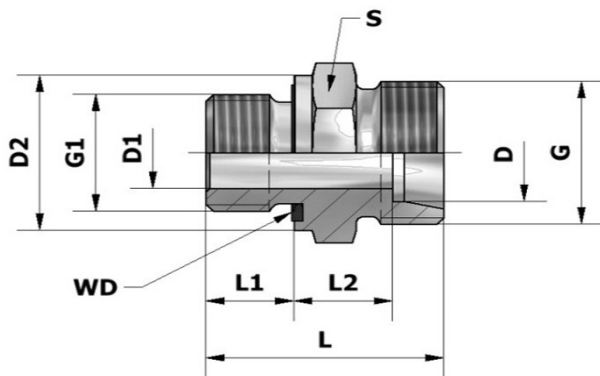


Серия	D	G	G1	D1	D2	L	L1	L2	S	Вес, кг/100	Цифровой №	№ комп
LL	4	M8x1	G 1/8 A	3	14	20,0	6,5	9,5	14	1,00	18608/21	XGE4R1/8ZLLWDPc3d
PN 100	6	M10x1	G 1/8 A	4	14	20,0	6,5	8,0	14	1,10	8224/21	XGE6R1/8ZLLWDPc3d
L	6	M12x1,5	G 1/8 A	4	14	23,5	8,0	8,5	14	1,30	1060/21	XGE6R1/8ZLWDPc3d
PN 500	6	M12x1,5	G 1/4 A	4	19	29,0	12,0	10,0	19	2,80	14427/21	XGE6R1/4ZLWDPc3d
PN 420	6	M12x1,5	G 3/8 A	4	22	30,5	12,0	11,5	22	4,40	17068/21	XGE6R3/8ZLWDPc3d
PN 500	8	M14x1,5	G 1/8 A	4	14	24,5	8,0	9,5	14	1,60	12521/21	XGE8R1/8ZLWDPc3d
	8	M14x1,5	G 1/4 A	6	19	29,0	12,0	10,0	19	2,70	1061/21	XGE8R1/4ZLWDPc3d
PN 420	8	M14x1,5	G 3/8 A	6	22	30,5	12,0	11,5	22	4,50	1062/21	XGE8R3/8ZLWDPc3d
PN 400	8	M14x1,5	G 1/2 A	6	27	33,0	14,0	12,0	27	7,40	9686/21	XGE8R1/2ZLWDPc3d
PN 500	10	M16x1,5	G 1/8 A	4	14	25,5	8,0	10,5	17	2,10	17622/21	XGE10R1/8ZLWDPc3d
	10	M16x1,5	G 1/4 A	6	19	30,0	12,0	11,0	19	2,90	1063/21	XGE10R1/4ZLWDPc3d
PN 420	10	M16x1,5	G 3/8 A	8	22	31,5	12,0	12,5	22	4,30	8126/21	XGE10R3/8ZLWDPc3d
PN 400	10	M16x1,5	G 1/2 A	8	27	34,0	14,0	13,0	27	7,10	14189/21	XGE10R1/2ZLWDPc3d
PN 420	12	M18x1,5	G 1/8 A	4	14	26,5	8,0	11,5	19	2,60	17638/21	XGE12R1/8ZLWDPc3d
PN 400	12	M18x1,5	G 1/4 A	6	19	31,0	12,0	12,0	19	3,10	8054/21	XGE12R1/4ZLWDPc3d
PN 420	12	M18x1,5	G 3/8 A	9	22	31,5	12,0	12,5	22	4,10	1064/21	XGE12R3/8ZLWDPc3d
PN 400	12	M18x1,5	G 1/2 A	10	27	34,0	14,0	13,0	27	6,70	4818/21	XGE12R1/2ZLWDPc3d
PN 250	12	M18x1,5	G 3/4 A	10	32	37,0	16,0	14,0	32	11,80	14768/21	XGE12R3/4ZLWDPc3d
PN 400	15	M22x1,5	G 3/8 A	9	22	32,5	12,0	13,5	24	5,40	12809/21	XGE15R3/8ZLWDPc3d
	15	M22x1,5	G 1/2 A	11	27	35,0	14,0	14,0	27	7,20	1065/21	XGE15R1/2ZLWDPc3d
PN 250	15	M22x1,5	G 3/4 A	12	32	38,0	16,0	15,0	32	11,60	14911/21	XGE15R3/4ZLWDPc3d
PN 400	18	M26x1,5	G 3/8 A	9	22	33,5	12,0	14,0	27	6,60	17641/21	XGE18R3/8ZLWDPc3d
	18	M26x1,5	G 1/2 A	14	27	36,0	14,0	14,5	27	7,10	1066/21	XGE18R1/2ZLWDPc3d
PN 250	18	M26x1,5	G 3/4 A	15	32	38,0	16,0	14,5	32	11,00	8520/21	XGE18R3/4ZLWDPc3d
	22	M30x2	G 1/2 A	14	27	38,0	14,0	16,5	32	9,10	14210/21	XGE22R1/2ZLWDPc3d
	22	M30x2	G 3/4 A	18	32	40,0	16,0	16,5	32	10,20	1067/21	XGE22R3/4ZLWDPc3d
	22	M30x2	G 1 A	19	40	43,0	18,0	17,5	41	18,80	15037/21	XGE22R1ZLWDPc3d
	28	M36x2	G 3/4 A	18	32	41,0	16,0	17,5	41	15,90	14681/21	XGE28R3/4ZLWDPc3d
	28	M36x2	G 1 A	23	40	43,0	18,0	17,5	41	17,00	1068/21	XGE28R1ZLWDPc3d
	28	M36x2	G 1 1/4 A	24	50	46,0	20,0	18,5	50	31,60	14433/21	XGE28R1 1/4 ZLWDPc3d
	35	M45x2	G 1 A	23	40	46,0	18,0	17,5	46	22,60	14438/21	XGE35R1ZLWDPc3d
	35	M45x2	G 1 1/4 A	30	50	48,0	20,0	17,5	50	27,20	1069/21	XGE35R1 1/4 ZLWDPc3d
	35	M45x2	G 1 1/2 A	30	55	52,0	22,0	19,5	55	42,30	13109/21	XGE35R1 1/2 ZLWDPc3d
	42	M52x2	G 1 A	23	40	48,0	18,0	19,0	55	32,40	18740/21	XGE42R1ZLWDPc3d
	42	M52x2	G 1 1/4 A	30	50	50,0	20,0	19,0	55	34,80	18009/21	XGE42R1 1/4 ZLWDPc3d
	42	M52x2	G 1 1/2 A	36	55	52,0	22,0	19,0	55	34,3	1070/21	XGE42R1 1/2 ZLWDPc3d

Поставляются с установленным уплотнением из NBR (по заказу из FKM).

## XGE..R..ZWD - Прямой штуцерный соединитель с наружной резьбой

Трубная коническая резьба BSP с мягким уплотнением (ISO 1179) / угол конуса 24°



Серия	D	G	G1	D1	D2	L	L1	L2	S	Вес, кг/100	Цифровой №	№ комп
S	6	M14x1,5	G ¼ A	4	19	32,0	12	13,0	19	3,50	1071/21	XGE6R1/4ZSWDPc3d
PN 630	6	M14x1,5	G ⅜ A	4	22	34,5	12	15,5	22	5,20	19035/21	XGE6R3/8ZSWDPc3d
PN 800	8	M16x1,5	G ¼ A	5	19	34,0	12	15,0	19	4,10	1072/21	XGE8R1/4ZSWDPc3d
			G ⅜ A	5	22	34,5	12	15,5	22	5,70	14245/21	XGE8R3/8ZSWDPc3d
PN 630	8	M16x1,5	G ½ A	5	27	39,0	14	18,0	27	8,90	19036/21	XGE8R1/2ZSWDPc3d
PN 800	10	M18x1,5	G ¼ A	5	19	34,0	12	14,5	19	4,20	9717/21	XGE10R1/4ZSWDPc3d
			G ⅜ A	7	22	34,5	12	15,0	22	4,50	1073/21	XGE10R3/8ZSWDPc3d
PN 630	12	M20x1,5	G ¼ A	5	19	36,0	12	16,5	22	6,10	14158/21	XGE12R1/4ZSWDPc3d
			G ⅝ A	8	22	36,5	12	17,0	22	6,20	1074/21	XGE12R3/8ZSWDPc3d
			G ½ A	8	27	39,0	14	17,5	27	9,90	8058/21	XGE12R1/2ZSWDPc3d
			G ⅝ A	8	22	38,5	12	18,0	27	8,30	17700/21	XGE16R3/8ZSWDPc3d
	16	M24x1,5	G ½ A	12	27	41,0	14	18,5	27	9,10	1076/21	XGE16R1/2ZSWDPc3d
PN 420	16	M24x1,5	G ¾ A	12	32	45,0	16	20,5	27	15,20	8124/21	XGE16R3/4ZSWDPc3d
			G ½ A	12	27	45,0	14	20,5	32	14,20	8426/21	XGE20R1/2ZSWDPc3d
			G ¾ A	16	32	47,0	16	20,5	32	14,90	1077/21	XGE20R3/4ZSWDPc3d
			G 1 A	16	40	51,0	18	22,5	32	16,50	17671/21	XGE20R1ZSWDPc3d
			G ½ A	12	27	59,0	14	23,0	41	22,80	9867/21	XGE25R1/2ZSWDPc3d
			G ¾ A	16	32	51,0	16	23,0	41	25,50	8455/21	XGE25R3/4ZSWDPc3d
			G 1 A	20	40	53,0	18	23,0	41	26,60	1078/21	XGE25R1ZSWDPc3d
			G 1¼ A	20	50	55,0	20	23,0	50	41,10	8656/21	XGE25R1¼ZSWDPc3d
PN 315	25	M36x2	G 1½ A	20	55	60,0	22	26,0	55	54,90	8427/21	XGE25R1½ZSWDPc3d
PN 420	30	M42x2	G 1 A	20	40	55,0	18	23,5	46	36,40	17530/21	XGE30R1ZSWDPc3d
			G 1¼ A	25	50	57,0	20	23,5	50	41,80	1079/21	XGE30R1¼ZSWDPc3d
PN 315	30	M42x2	G 1½ A	25	55	62,0	22	26,5	55	53,00	8428/21	XGE30R1½ZSWDPc3d
PN 420	38	M52x2	G 1¼ A	25	50	52,0	20	26,0	55	57,50	15035/21	XGE38R1¼ZSWDPc3d
			G 1½ A	32	55	64,0	22	26,0	55	56,30	1080/21	XGE38R1½ZSWDPc3d

Поставляются с установленным уплотнением из NBR (по заказу из FKM).