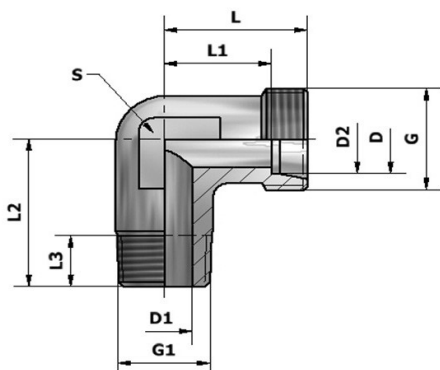


## XWE..NPT - Ввертное колено

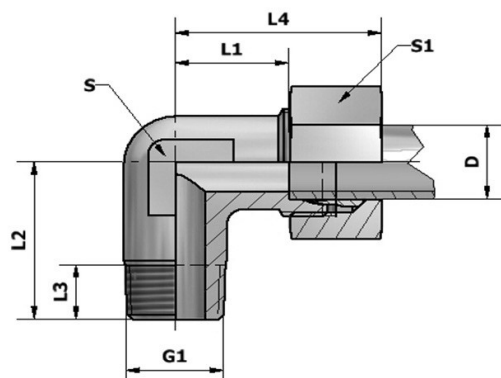
Резьба NPT (ASME B1-20.01.2013) / угол конуса 24°



Серия	D	G	G1	D1	D2	L	L1	L2	L3	S	Вес, кг/100	Цифровой №	№ комп
LL	4	M8x1	1/8-27NPT	4,0	3,0	15	11,0	17	9,9	9	1,00	13245/21	XWE4NPT1/8LLc3d
PN 100	6	M10x1	1/8-27NPT	4,5	4,5	15	9,5	17	9,9	9	1,10	13246/21	XWE6NPT1/8LLc3d
	8	M12x1	1/8-27NPT	5,0	6,0	17	11,5	20	9,9	12	1,70	13247/21	XWE8NPT1/8LLc3d
	6	M12x1,5	1/8-27NPT	4,0	4,0	19	12,0	20	9,9	12	2,30	829/21	XWE6NPT1/8Lc3d
PN 315	8	M14x1,5	1/4-18NPT	6,0	6,0	21	14,0	26	15,1	12	2,40	2008/21	XWE8NPT1/4Lc3d
	10	M16x1,5	1/4-18NPT	7,0	8,0	22	15,0	27	15,1	14	4,70	239/21	XWE10NPT1/4Lc3d
	10	M16x1,5	3/8-18NPT	8,0	8,0	24	17,0	28	15,1	17	5,90	806/21	XWE10NPT3/8Lc3d
	12	M18x1,5	1/4-18NPT	7,0	10,0	24	17,0	28	15,1	17	5,70	843/21	XWE12NPT1/4Lc3d
	12	M18x1,5	3/8-18NPT	8,0	10,0	24	17,0	28	15,1	17	5,50	811/21	XWE12NPT3/8Lc3d
	15	M22x1,5	1/2-14NPT	11,0	12,0	28	21,0	34	19,8	19	9,00	13248/21	XWE15NPT1/2Lc3d
	18	M26x1,5	1/2-14NPT	12,0	15,0	31	23,5	36	19,8	24	12,20	13249/21	XWE18NPT1/2Lc3d
PN 160	22	M30x2	3/4-14NPT	16,0	19,0	35	27,5	42	20,1	27	17,50	13250/21	XWE22NPT3/4Lc3d
	28	M36x2	1-11,5NPT	21,0	24,0	38	30,5	48	25,0	36	28,60	13251/21	XWE28NPT1Lc3d
	35	M45x2	1 1/4-11,5NPT	28,0	30,0	45	34,5	54	25,6	41	47,10	13252/21	XWE35NPT1/4Lc3d
	42	M52x2	1 1/2-11,5NPT	34,0	36,0	51	40,0	61	26,0	50	73,30	13253/21	XWE42NPT1/2Lc3d
S	6	M14x1,5	1/4-18NPT	4,0	4,0	23	16,0	26	15,1	12	3,70	13254/21	XWE6NPT1/4Sc3d
PN 630	8	M16x1,5	1/4-18NPT	5,0	5,0	24	17,0	27	15,1	14	4,80	13255/21	XWE8NPT1/4Sc3d
	10	M18x1,5	3/8-18NPT	7,0	7,5	25	17,5	28	15,1	17	6,85	13256/21	XWE10NPT3/8Sc3d
	12	M20x1,5	3/8-18NPT	8,0	8,0	29	22,5	28	15,1	17	7,40	13257/21	XWE12NPT3/8Sc3d
PN 400	16	M24x1,5	1/2-14NPT	12,0	12,0	33	24,5	36	19,8	24	13,40	13258/21	XWE16NPT1/2Sc3d
	20	M30x2	3/4-14NPT	16,0	16,0	37	26,5	42	20,1	27	20,90	13260/21	XWE20NPT3/4Sc3d
	25	M36x2	1-11,5NPT	20,0	20,0	42	30,0	48	25,0	36	38,50	13261/21	XWE25NPT1Sc3d
	30	M42x2	1 1/4-11,5NPT	25,0	25,0	49	35,5	54	25,6	41	60,50	13262/21	XWE30NPT1/2Sc3d
PN 315	38	M52x2	1 1/2-11,5NPT	32,0	32,0	57	41,0	61	26,0	50	90,70	13263/21	XWE38NPT1/2Sc3d

## WE..NPT - Ввертное колено

Резьба NPT (ASME B1-20.01.2013) / угол конуса 24°



Серия	D	G1	L1	L2	L3	L4	S	S1	Вес, кг/100	Цифровой №	№ комп
LL	4	1/8-27NPT	11,0	17	9,9	21	9	10	1,45	51545/21	WE4NPT1/8LLc3d
PN 100	6	1/8-27NPT	9,5	17	9,9	21	9	12	1,69	51546/21	WE6NPT1/8LLc3d
	8	1/8-27NPT	11,5	20	9,9	23	12	14	2,50	51547/21	WE8NPT1/8LLc3d
	L	6	1/8-27NPT	12,0	20	9,9	27	12	14	3,35	2013/21
PN 315	8	1/4-18NPT	14,0	26	15,1	29	12	17	4,00	2007/21	WE8NPT1/4Lc3d
	10	1/4-18NPT	15,0	27	15,1	30	14	19	6,95	2006/21	WE10NPT1/4Lc3d
	10	3/8-18NPT	17,0	28	15,1	32	17	19	8,15	807/21	WE10NPT3/8Lc3d
	12	1/4-18NPT	17,0	28	15,1	32	17	22	8,50	817/21	WE12NPT1/4Lc3d
	12	3/8-18NPT	17,0	28	15,1	32	17	22	8,30	2019/21	WE12NPT3/8Lc3d
	15	1/2-14NPT	21,0	34	19,8	36	19	27	13,40	51548/21	WE15NPT1/2Lc3d
	18	1/2-14NPT	23,5	36	19,8	40	24	32	18,65	51549/21	WE18NPT1/2Lc3d
PN 160	22	3/4-14NPT	27,5	42	20,1	44	27	36	26,10	51550/21	WE22NPT3/4Lc3d
	28	1-11,5NPT	30,5	48	25,0	47	36	41	37,85	51551/21	WE28NPT1Lc3d
	35	1 1/4-11,5NPT	34,5	54	25,6	56	41	50	61,80	51552/21	WE35NPT1¼Lc3d
	42	1 1/2-11,5NPT	40,0	61	26,0	63	50	60	96,40	51553/21	WE42NPT1½Lc3d
S	6	1/4-18NPT	16,0	26	15,1	31	12	17	5,35	51554/21	WE6NPT1/4Sc3d
PN 630	8	1/4-18NPT	17,0	27	15,1	32	14	19	6,70	51555/21	WE8NPT1/4Sc3d
	10	3/8-18NPT	17,5	28	15,1	34	17	22	10,10	51556/21	WE10NPT3/8Sc3d
	12	3/8-18NPT	22,5	28	15,1	38	17	24	11,20	51557/21	WE12NPT3/8Sc3d
PN 400	16	1/2-14NPT	24,5	36	19,8	43	24	30	19,80	51558/21	WE16NPT1/2Sc3d
	20	3/4-14NPT	26,5	42	20,1	48	27	36	31,25	51559/21	WE20NPT3/4Sc3d
	25	1-11,5NPT	30,0	48	25,0	54	36	46	59,05	51560/21	WE25NPT1Sc3d
	30	1 1/4-11,5NPT	35,5	54	25,6	62	41	50	83,45	51561/21	WE30NPT1¼Sc3d
PN 315	38	1 1/2-11,5NPT	41,0	61	26,0	72	50	60	123,60	51562/21	WE38NPT1½Sc3d