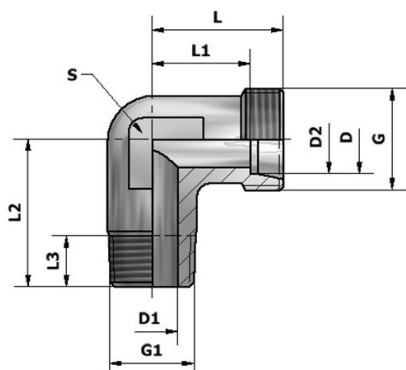


### XWE..R..K - Ввертное колено

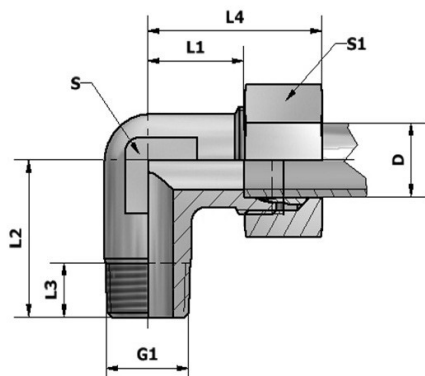
Резьба: BSP коническая (DIN 3852-2, форма С) / угол конуса 24°



| Серия  | D  | G       | G1         | D1   | D2   | L  | L1   | L2 | L3 | S  | Вес,<br>кг/100 | Цифровой<br>№ | № комп         |
|--------|----|---------|------------|------|------|----|------|----|----|----|----------------|---------------|----------------|
| LL     | 4  | M8x1    | R 1/8 keg. | 4,0  | 3,0  | 15 | 11,0 | 17 | 8  | 9  | 0,90           | 204/21        | XWE4R1/8KLLc3d |
| PN 100 | 6  | M10x1   | R 1/8 keg. | 4,5  | 4,5  | 15 | 9,5  | 17 | 8  | 9  | 1,00           | 206/21        | XWE6R1/8KLLc3d |
|        | 8  | M12x1   | R 1/8 keg. | 6,0  | 6,0  | 17 | 11,5 | 20 | 8  | 12 | 1,40           | 207/21        | XWE8R1/8KLLc3d |
| L      | 6  | M12x1,5 | R 1/8 keg. | 4,0  | 4,0  | 19 | 12,0 | 20 | 8  | 12 | 1,90           | 208/21        | XWE6R1/8KLC3d  |
| PN 250 | 8  | M14x1,5 | R 1/4 keg. | 6,0  | 6,0  | 21 | 14,0 | 26 | 12 | 12 | 2,00           | 209/21        | XWE8R1/4KLC3d  |
|        | 10 | M16x1,5 | R 1/4 keg. | 7,0  | 8,0  | 22 | 15,0 | 27 | 12 | 14 | 2,90           | 210/21        | XWE10R1/4KLC3d |
|        | 10 | M16x1,5 | R 3/8 keg. | 9,0  | 8,0  | 24 | 17,0 | 28 | 12 | 17 | 4,40           | 211/21        | XWE10R3/8KLC3d |
|        | 12 | M18x1,5 | R 1/4 keg. | 7,0  | 10,0 | 24 | 17,0 | 27 | 12 | 17 | 4,30           | 12773/21      | XWE12R1/4KLC3d |
|        | 12 | M18x1,5 | R 3/8 keg. | 9,0  | 10,0 | 24 | 17,0 | 28 | 12 | 17 | 4,50           | 212/21        | XWE12R3/8KLC3d |
|        | 12 | M18x1,5 | R 1/2 keg. | 11,0 | 10,0 | 28 | 21,0 | 34 | 14 | 19 | 9,10           | 12556/21      | XWE12R1/2KLC3d |
|        | 15 | M22x1,5 | R 1/2 keg. | 11,0 | 12,0 | 28 | 21,0 | 34 | 14 | 19 | 7,50           | 213/21        | XWE15R1/2KLC3d |
| PN 160 | 18 | M26x1,5 | R 1/2 keg. | 14,0 | 15,0 | 31 | 23,5 | 36 | 14 | 24 | 10,20          | 214/21        | XWE18R1/2KLC3d |
| S      | 6  | M14x1,5 | R 1/4 keg. | 4,0  | 4,0  | 23 | 16,0 | 26 | 12 | 12 | 2,00           | 216/21        | XWE6R1/4KSc3d  |
| PN 400 | 8  | M16x1,5 | R 1/4 keg. | 5,0  | 5,0  | 24 | 17,0 | 27 | 12 | 14 | 2,10           | 217/21        | XWE8R1/4KSc3d  |
|        | 10 | M18x1,5 | R 3/8 keg. | 7,0  | 7,0  | 25 | 17,5 | 28 | 12 | 17 | 6,70           | 218/21        | XWE10R3/8KSc3d |
|        | 12 | M20x1,5 | R 3/8 keg. | 8,0  | 8,0  | 29 | 21,5 | 28 | 12 | 17 | 7,30           | 219/21        | XWE12R3/8KSc3d |
|        | 16 | M24x1,5 | R 1/2 keg. | 11,0 | 8,0  | 30 | 22,5 | 32 | 14 | 19 | 12,50          | 221/21        | XWE16R1/2KSc3d |

## WE..R..K - Ввертное колено

Резьба: BSP коническая (DIN 3852-2, форма C) / угол конуса 24°



| Серия  | D  | G1         | L1         | L2   | L3 | L4 | S  | S1 | Вес,<br>кг/100 | Цифровой<br>№ | № комп        |
|--------|----|------------|------------|------|----|----|----|----|----------------|---------------|---------------|
| LL     | 4  | R 1/8 keg. | 11,0       | 17   | 8  | 21 | 9  | 10 | 1,35           | 1209/21       | WE4R1/8KLLc3d |
| PN 100 | 6  | R 1/8 keg. | 9,5        | 17   | 8  | 21 | 9  | 12 | 1,59           | 1211/21       | WE6R1/8KLLc3d |
|        | 8  | R 1/8 keg. | 11,5       | 20   | 8  | 23 | 12 | 14 | 2,20           | 1212/21       | WE8R1/8KLLc3d |
|        | L  | 6          | R 1/8 keg. | 12,0 | 20 | 8  | 27 | 12 | 14             | 2,95          | 1213/21       |
| PN 250 | 8  | R 1/4 keg. | 14,0       | 26   | 12 | 29 | 12 | 17 | 3,60           | 1214/21       | WE8R1/4KLc3d  |
|        | 10 | R 1/4 keg. | 15,0       | 27   | 12 | 30 | 14 | 19 | 5,15           | 1215/21       | WE10R1/4KLc3d |
|        | 10 | R 3/8 keg. | 17,0       | 28   | 12 | 32 | 17 | 19 | 6,65           | 1217/21       | WE10R3/8KLc3d |
|        | 12 | R 1/4 keg. | 17,0       | 27   | 12 | 32 | 17 | 22 | 7,10           | 12774/21      | WE12R1/4KLc3d |
|        | 12 | R 3/8 keg. | 17,0       | 28   | 12 | 32 | 17 | 22 | 7,30           | 1218/21       | WE12R3/8KLc3d |
|        | 12 | R 1/2 keg. | 21,0       | 34   | 14 | 36 | 19 | 22 | 11,90          | 12734/21      | WE12R1/2KLc3d |
|        | 15 | R 1/2 keg. | 21,0       | 34   | 14 | 36 | 19 | 27 | 11,90          | 1219/21       | WE15R1/2KLc3d |
| PN 160 | 18 | R 1/2 keg. | 23,5       | 36   | 14 | 40 | 24 | 32 | 16,65          | 1220/21       | WE18R1/2KLc3d |
| S      | 6  | R 1/4 keg. | 16,0       | 26   | 12 | 31 | 12 | 17 | 3,65           | 1222/21       | WE6R1/4KSc3d  |
| PN 400 | 8  | R 1/4 keg. | 17,0       | 27   | 12 | 32 | 14 | 19 | 4,00           | 1223/21       | WE8R1/4KSc3d  |
|        | 10 | R 3/8 keg. | 17,5       | 28   | 12 | 33 | 17 | 22 | 9,95           | 1224/21       | WE10R3/8KSc3d |
|        | 12 | R 3/8 keg. | 21,5       | 28   | 12 | 38 | 17 | 24 | 11,10          | 1225/21       | WE12R3/8KSc3d |
|        | 16 | R 1/2 keg. | 22,5       | 32   | 14 | 43 | 19 | 30 | 18,90          | 1227/21       | WE16R1/2KSc3d |