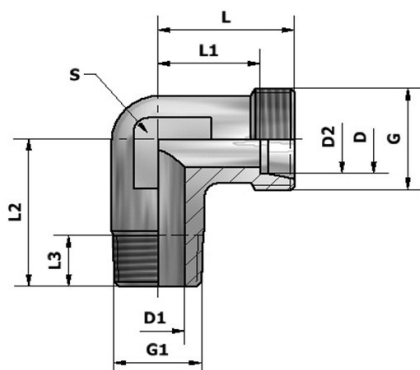


### XWE..M..K - Ввертное колено

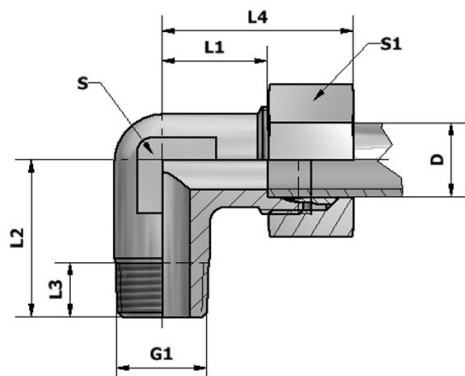
Резьба: метрическая коническая (DIN 3852-1, форма С) / угол конуса 24°



Серия	D	G	G1	D1	D2	L	L1	L2	L3	S	Вес, кг/100	Цифровой №	№ комп
LL	4	M8x1	M8x1 Keg.	3,5	3,0	15	11,0	17	8	9	0,90	222/21	XWE4M8KLLc3d
PN 100	6	M10x1	M10x1 Keg.	4,5	4,5	15	9,5	17	8	9	1,00	224/21	XWE6M10KLLc3d
	8	M12x1	M10x1 Keg.	6,0	6,0	17	11,5	20	8	12	1,40	225/21	XWE8M10KLLc3d
	6	M12x1,5	M10x1 Keg.	4,0	4,0	19	12,0	20	8	12	1,95	226/21	XWE6M10KLc3d
PN 250	8	M14x1,5	M12x1,5 Keg.	6,0	6,0	21	14,0	26	12	12	2,00	227/21	XWE8M12KLc3d
	10	M16x1,5	M14x1,5 Keg.	7,0	8,0	22	15,0	27	12	12	2,95	228/21	XWE10M14KLc3d
	12	M18x1,5	M16x1,5 Keg.	9,0	10,0	24	17,0	28	12	17	4,50	229/21	XWE12M16KLc3d
	15	M22x1,5	M18x1,5 Keg.	12,0	11,0	28	21,0	32	12	19	7,60	230/21	XWE15M18KLc3d
PN 160	18	M26x1,5	M22x1,5 Keg.	14,0	15,0	28	21,0	32	12	19	10,20	231/21	XWE18M22KLc3d
S	6	M14x1,5	M12x1,5 Keg.	4,0	4,0	23	16,0	26	12	12	3,60	232/21	XWE6M12KSc3d
PN 400	8	M16x1,5	M14x1,6 Keg.	5,0	5,0	24	17,0	27	12	14	4,50	233/21	XWE8M14KSc3d
	10	M18x1,5	M16x1,5 Keg.	7,0	7,0	25	17,5	28	12	17	6,60	234/21	XWE10M16KSc3d
	12	M20x1,5	M18x1,5 Keg.	8,0	8,0	29	21,5	28	12	17	7,30	235/21	XWE12M18KSc3d
	16	M24x1,5	M22x1,5 Keg.	12,0	12,0	33	24,5	32	14	24	12,60	237/21	XWE16M22KSc3d

### WE..M..K - Ввертное колено

Резьба: метрическая коническая (DIN 3852-1, форма С) / угол конуса 24°



Серия	D	G1	L1	L2	L3	L4	S	S1	Вес, кг/100	Цифровой №	№ комп
LL	4	M8x1 Keg.	11,0	17	8	21	9	10	1,35	1228/21	WE4M8KLLc3d
PN 100	6	M10x1 Keg.	9,5	17	8	21	9	12	1,59	1230/21	WE6M10KLLc3d
	8	M10x1 Keg.	11,5	20	8	23	12	14	2,20	1231/21	WE8M10KLLc3d
	L	6	M10x1 Keg.	12,0	20	8	27	12	14	3,00	1232/21
PN 250	8	M12x1,5 Keg.	14,0	26	12	29	12	17	3,60	1233/21	WE8M12KLc3d
	10	M14x1,5 Keg.	15,0	27	12	30	12	19	5,20	1234/21	WE10M14KLc3d
	12	M16x1,5 Keg.	17,0	28	12	32	17	22	7,30	1235/21	WE12M16KLc3d
	15	M18x1,5 Keg.	21,0	32	12	36	19	27	12,00	1236/21	WE15M18KLc3d
PN 160	18	M22x1,5 Keg.	21,0	32	12	40	19	32	16,65	1237/21	WE18M22KLc3d
S	6	M12x1,5 Keg.	16,0	26	12	31	12	17	5,25	1238/21	WE6M12KSc3d
PN 400	8	M14x1,6 Keg.	17,0	27	12	32	14	19	6,40	1239/21	WE8M14KSc3d
	10	M16x1,5 Keg.	17,5	28	12	34	17	22	9,85	1240/21	WE10M16KSc3d
	12	M18x1,5 Keg.	21,5	28	12	38	17	24	11,10	1241/21	WE12M18KSc3d
	16	M22x1,5 Keg.	24,5	32	14	43	24	30	19,00	1243/21	WE16M22KSc3d