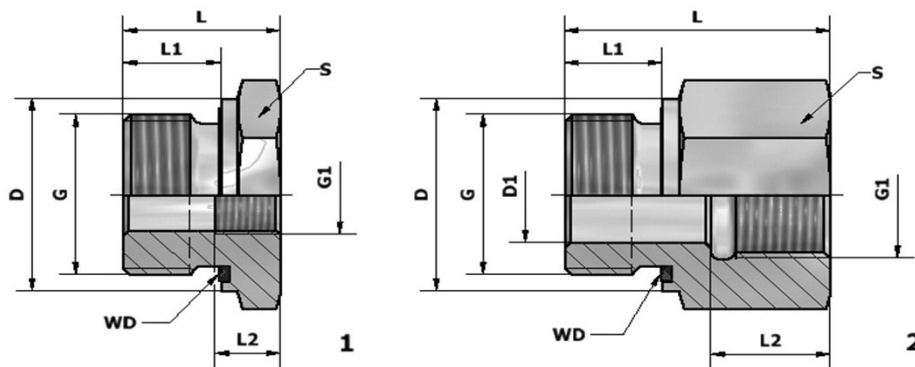


## RS..WD - Переходное соединение

Резьба BSP наружная цилиндрическая с мягким уплотнением (ISO 1179)



Серия	G	G1	D	D1	L	L1	L2	S	Изобр.	Вес, кг/100	Цифровой №	№ комп
PN 400	G 1/8 A	G 1/4	13,9	4	31,0	8	17,0	19	2	3,80	51201/21	RS1/8-1/4WDPc3d
	G 1/8 A	G 3/8	13,9	4	32,0	8	17,0	24	2	5,90	51202/21	RS1/8-3/8WDPc3d
	G 1/4 A	G 1/8	18,9	5	29,0	12	12,0	19	2	3,80	51203/21	RS1/4-1/8WDPc3d
	G 1/4 A	G 3/8	18,9	5	36,0	12	17,0	24	2	6,70	9741/21	RS1/4-3/8WDPc3d
	G 1/4 A	G 1/2	18,9	5	40,0	12	20,0	30	2	11,70	51204/21	RS1/4-1/2WDPc3d
	G 1/4 A	G 3/4	18,9	5	43,0	12	22,0	36	2	16,80	51205/21	RS1/4-3/4WDPc3d
	G 3/8 A	G 1/8	21,9		22,5	12	8,0	22	1	3,70	51206/21	RS3/8-1/8WDPc3d
	G 3/8 A	G 1/4	21,9	8	36,0	12	17,0	22	2	6,20	51207/21	RS3/8-1/4WDPc3d
G 3/8 A	G 1/2	21,9	8	41,0	12	20,0	30	2	11,20	51208/21	RS3/8-1/2WDPc3d	
PN 315	G 3/8 A	G 3/4	21,9	8	44,0	12	22,0	36	2	18,20	14359/21	RS3/8-3/4WDPc3d
PN 400	G 1/2 A	G 1/4	26,9		24,0	14	12,0	27	1	5,60	12523/21	RS1/2-1/4WDPc3d
	G 1/2 A	G 3/8	26,9	12	37,0	14	17,0	27	2	9,30	51209/21	RS1/2-3/8WDPc3d
PN 315	G 1/2 A	G 3/4	26,9	12	46,0	14	22,0	36	2	18,10	51210/21	RS1/2-3/4WDPc3d
	G 1/2 A	G 1	26,9	12	49,0	14	24,5	41	2	22,90	51211/21	RS1/2-1WDPc3d
	G 1/2 A	G 1 1/4	26,9	12	53,0	14	26,5	55	2	48,10	51212/21	RS1/2-1 1/4WDPc3d
	G 3/4 A	G 1/4	31,9		26,0	16	12,0	32	1	10,30	14195/21	RS3/4-1/4WDPc3d
	G 3/4 A	G 3/8	31,9		26,0	16	12,0	32	1	8,60	51213/21	RS3/4-3/8WDPc3d
	G 3/4 A	G 1/2	31,9	16	43,0	16	20,0	32	2	15,40	51214/21	RS3/4-1/2WDPc3d
	G 3/4 A	G 1	31,9	16	51,0	16	24,5	41	2	23,40	51215/21	RS3/4-1WDPc3d
G 3/4 A	G 1 1/4	31,9	16	55,0	16	26,5	55	2	48,40	51216/21	RS3/4-1 1/4WDPc3d	
PN 250	G 3/4 A	G 1 1/2	31,9	16	57,0	16	28,5	60	2	55,80	14361/21	RS3/4-1 1/2WDPc3d
PN 315	G 1 A	G 3/8	39,9		29,0	18	12,0	41	1	17,70	51217/21	RS1-3/8WDPc3d
	G 1 A	G 1/2	39,9		29,0	18	14,0	41	1	15,30	51218/21	RS1-1/2WDPc3d
	G 1 A	G 3/4	39,9	20	49,0	18	22,0	41	2	28,80	51219/21	RS1-3/4WDPc3d
	G 1 A	G 1 1/4	39,9	20	57,0	18	26,5	55	2	50,10	51220/21	RS1-1 1/4WDPc3d
PN 250	G 1 A	G 1 1/2	39,9	20	59,0	18	28,5	60	2	58,20	51221/21	RS1-1 1/2WDPc3d
PN 315	G 1 1/4 A	G 1/2	49,9		32,0	20	14,0	50	1	31,30	51222/21	RS1 1/4-1/2WDPc3d
	G 1 1/4 A	G 3/4	49,9		32,0	20	16,0	50	1	21,30	51223/21	RS1 1/4-3/4WDPc3d
	G 1 1/4 A	G 1	49,9	25	53,0	20	24,5	50	2	46,60	51224/21	RS1 1/4-1WDPc3d
	G 1 1/4 A	G 1 1/2	49,9	25	60,0	20	28,5	60	2	61,80	51225/21	RS1 1/4-1 1/2WDPc3d
PN 250	G 1 1/2 A	G 1/2	54,9		36,0	22	14,0	55	1	46,90	51226/21	RS1 1/2-1/2WDPc3d
	G 1 1/2 A	G 3/4	54,9		36,0	22	16,0	55	1	41,50	51227/21	RS1 1/2-3/4WDPc3d
	G 1 1/2 A	G 1	54,9		36,0	22	18,0	55	1	33,70	51228/21	RS1 1/2-1WDPc3d
	G 1 1/2 A	G 1 1/4	54,9	32	58,0	22	26,5	55	2	53,90	51229/21	RS1 1/2-1 1/4WDPc3d

Прочие размеры, а также метрическая резьба или герметизация металлических поверхностей (ISO 1179-4) по заказу