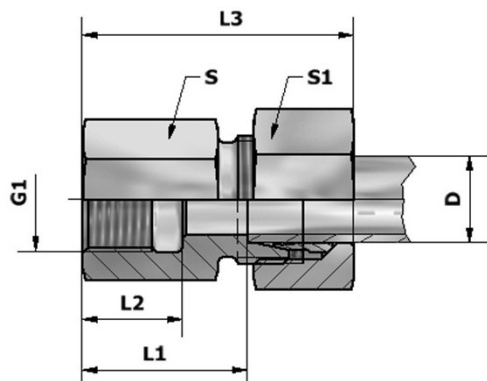


GA..R - прямой соединитель с внутренней резьбой

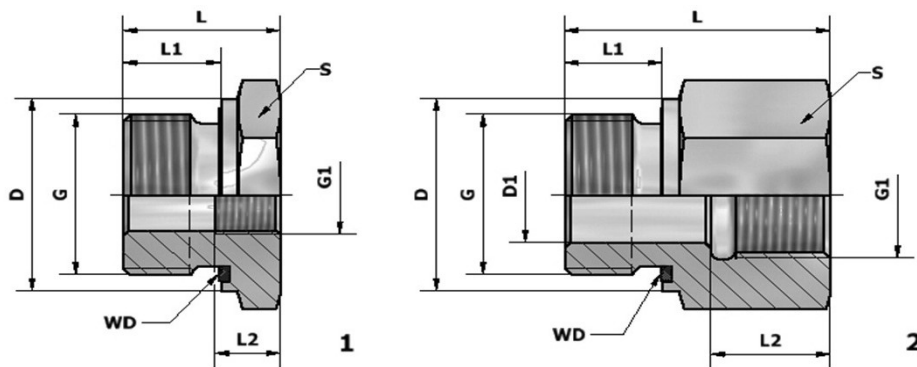
Трубная коническая резьба BSP/ угол конуса 24°



Серия	D	G	G1	D1	L	L1	L2	Вес, кг/100	Цифровой №	№ комп
L	6	G 1/8	19,0	12,0	34	14	14	2,85	1461/21	GA6R1/8Lc3d
PN 315	6	G 1/4	24,0	17,0	39	19	14	4,85	18877/21	GA6R1/4Lc3d
	8	G 1/4	24,0	17,0	39	19	17	5,40	1462/21	GA8R1/4Lc3d
	8	G 3/8	25,0	17,0	40	24	17	7,50	51500/21	GA8R3/8Lc3d
	10	G 1/4	25,0	17,0	40	19	19	5,95	1463/21	GA10R1/4Lc3d
	10	G 3/8	26,0	17,0	41	24	19	8,25	51501/21	GA10R3/8Lc3d
	10	G 1/2	30,0	20,0	45	27	19	10,15	18607/21	GA10R1/2Lc3d
	12	G 3/8	26,0	17,0	41	24	22	8,50	1464/21	GA12R3/8Lc3d
	12	G 1/2	30,0	20,0	45	27	22	10,80	51502/21	GA12R1/2Lc3d
	15	G 1/2	31,0	20,0	46	27	27	12,90	1466/21	GA15R1/2Lc3d
18	G 1/2	30,5	20,0	47	27	32	15,15	1467/21	GA18R1/2Lc3d	
PN 160	22	G 3/4	35,5	22,0	52	36	36	26,00	1468/21	GA22R3/4Lc3d
	28	G 1	38,0	24,5	55	41	41	30,35	1469/21	GA28R1Lc3d
	35	G 1 1/4	41,0	26,5	63	55	50	60,80	1470/21	GA35R1 1/4Lc3d
	42	G 1 1/2	42,5	28,5	65	60	60	77,10	1471/21	GA42R1 1/2Lc3d
S	6	G 1/4	26,0	17,0	41	19	17	5,75	1472/21	GA6R1/4Sc3d
PN 400	8	G 1/4	26,0	17,0	41	19	19	6,30	1473/21	GA8R1/4Sc3d
	10	G 3/8	26,5	17,0	43	24	22	10,15	1474/21	GA10R3/8Sc3d
	12	G 3/8	26,5	17,0	43	24	24	10,90	1475/21	GA12R3/8Sc3d
	12	G 1/2	30,5	20,0	47	30	24	15,70	14559/21	GA12R1/2Sc3d
	16	G 1/2	31,5	20,0	50	30	30	19,30	1477/21	GA16R1/2Sc3d
	PN 315	20	G 3/4	34,5	22,0	56	36	36	29,85	1478/21
	25	G 1	37,5	24,5	62	41	46	42,15	1479/21	GA25R1Sc3d
	30	G 1 1/4	42,0	26,5	69	55	50	75,85	1480/21	GA30R1 1/4Sc3d
PN 250	38	G 1 1/2	43,5	28,5	74	60	60	97,80	1481/21	GA38R1 1/2Sc3d

RS..WD - Переходное соединение

Резьба BSP наружная цилиндрическая с мягким уплотнением (ISO 1179)



Серия	G	G1	D	D1	L	L1	L2	S	Изобр.	Вес, кг/100	Цифровой №	№ комп
PN 400	G 1/8 A	G 1/4	13,9	4	31,0	8	17,0	19	2	3,80	51201/21	RS1/8-1/4WDPc3d
	G 1/8 A	G 3/8	13,9	4	32,0	8	17,0	24	2	5,90	51202/21	RS1/8-3/8WDPc3d
	G 1/4 A	G 1/8	18,9	5	29,0	12	12,0	19	2	3,80	51203/21	RS1/4-1/8WDPc3d
	G 1/4 A	G 3/8	18,9	5	36,0	12	17,0	24	2	6,70	9741/21	RS1/4-3/8WDPc3d
	G 1/4 A	G 1/2	18,9	5	40,0	12	20,0	30	2	11,70	51204/21	RS1/4-1/2WDPc3d
	G 1/4 A	G 3/4	18,9	5	43,0	12	22,0	36	2	16,80	51205/21	RS1/4-3/4WDPc3d
	G 3/8 A	G 1/8	21,9		22,5	12	8,0	22	1	3,70	51206/21	RS3/8-1/8WDPc3d
	G 3/8 A	G 1/4	21,9	8	36,0	12	17,0	22	2	6,20	51207/21	RS3/8-1/4WDPc3d
G 3/8 A	G 1/2	21,9	8	41,0	12	20,0	30	2	11,20	51208/21	RS3/8-1/2WDPc3d	
PN 315	G 3/8 A	G 3/4	21,9	8	44,0	12	22,0	36	2	18,20	14359/21	RS3/8-3/4WDPc3d
PN 400	G 1/2 A	G 1/4	26,9		24,0	14	12,0	27	1	5,60	12523/21	RS1/2-1/4WDPc3d
	G 1/2 A	G 3/8	26,9	12	37,0	14	17,0	27	2	9,30	51209/21	RS1/2-3/8WDPc3d
PN 315	G 1/2 A	G 3/4	26,9	12	46,0	14	22,0	36	2	18,10	51210/21	RS1/2-3/4WDPc3d
	G 1/2 A	G 1	26,9	12	49,0	14	24,5	41	2	22,90	51211/21	RS1/2-1WDPc3d
	G 1/2 A	G 1 1/4	26,9	12	53,0	14	26,5	55	2	48,10	51212/21	RS1/2-1 1/4WDPc3d
	G 3/4 A	G 1/4	31,9		26,0	16	12,0	32	1	10,30	14195/21	RS3/4-1/4WDPc3d
	G 3/4 A	G 3/8	31,9		26,0	16	12,0	32	1	8,60	51213/21	RS3/4-3/8WDPc3d
	G 3/4 A	G 1/2	31,9	16	43,0	16	20,0	32	2	15,40	51214/21	RS3/4-1/2WDPc3d
	G 3/4 A	G 1	31,9	16	51,0	16	24,5	41	2	23,40	51215/21	RS3/4-1WDPc3d
G 3/4 A	G 1 1/4	31,9	16	55,0	16	26,5	55	2	48,40	51216/21	RS3/4-1 1/4WDPc3d	
PN 250	G 3/4 A	G 1 1/2	31,9	16	57,0	16	28,5	60	2	55,80	14361/21	RS3/4-1 1/2WDPc3d
PN 315	G 1 A	G 3/8	39,9		29,0	18	12,0	41	1	17,70	51217/21	RS1-3/8WDPc3d
	G 1 A	G 1/2	39,9		29,0	18	14,0	41	1	15,30	51218/21	RS1-1/2WDPc3d
	G 1 A	G 3/4	39,9	20	49,0	18	22,0	41	2	28,80	51219/21	RS1-3/4WDPc3d
	G 1 A	G 1 1/4	39,9	20	57,0	18	26,5	55	2	50,10	51220/21	RS1-1 1/4WDPc3d
PN 250	G 1 A	G 1 1/2	39,9	20	59,0	18	28,5	60	2	58,20	51221/21	RS1-1 1/2WDPc3d
PN 315	G 1 1/4 A	G 1/2	49,9		32,0	20	14,0	50	1	31,30	51222/21	RS1 1/4-1/2WDPc3d
	G 1 1/4 A	G 3/4	49,9		32,0	20	16,0	50	1	21,30	51223/21	RS1 1/4-3/4WDPc3d
	G 1 1/4 A	G 1	49,9	25	53,0	20	24,5	50	2	46,60	51224/21	RS1 1/4-1WDPc3d
	G 1 1/4 A	G 1 1/2	49,9	25	60,0	20	28,5	60	2	61,80	51225/21	RS1 1/4-1 1/2WDPc3d
PN 250	G 1 1/2 A	G 1/2	54,9		36,0	22	14,0	55	1	46,90	51226/21	RS1 1/2-1/2WDPc3d
	G 1 1/2 A	G 3/4	54,9		36,0	22	16,0	55	1	41,50	51227/21	RS1 1/2-3/4WDPc3d
	G 1 1/2 A	G 1	54,9		36,0	22	18,0	55	1	33,70	51228/21	RS1 1/2-1WDPc3d
	G 1 1/2 A	G 1 1/4	54,9	32	58,0	22	26,5	55	2	53,90	51229/21	RS1 1/2-1 1/4WDPc3d

Прочие размеры, а также метрическая резьба или герметизация металлических поверхностей (ISO 1179-4) по заказу